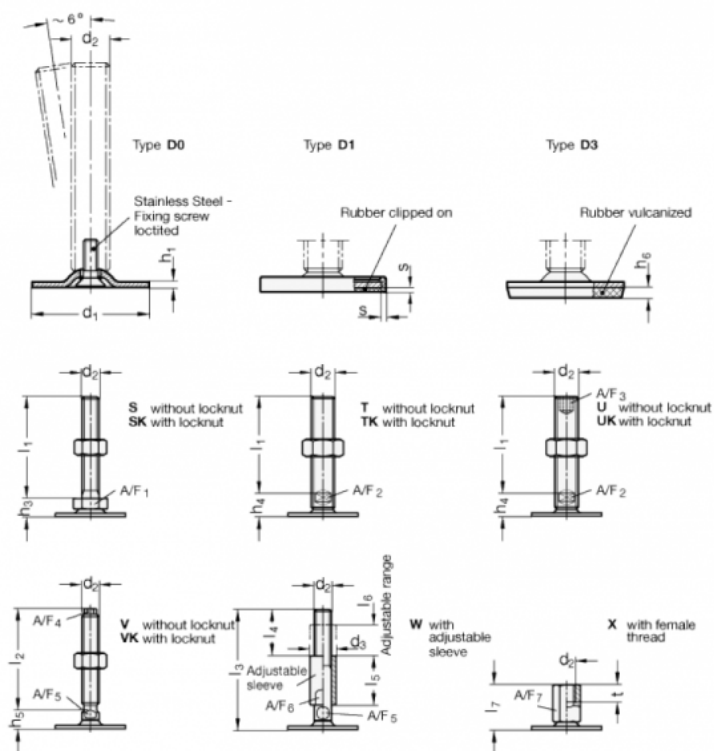


Article number: 204180M2045D0X
 Description: E+G levelling foot
 GN 41-80-M20-45-D0-X
 Note: X With female thread, External hexagon

Measures



A/F7 = 27
 d1 = 80
 d2 = M20
 h1 = 3
 h6 =
 l7 = 45
 s =
 t = 20